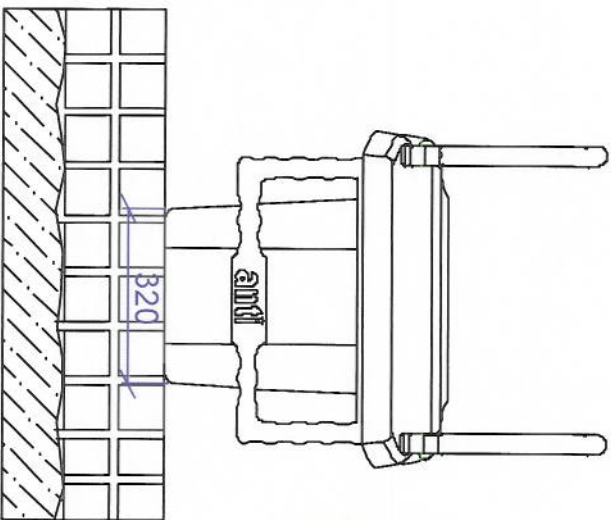
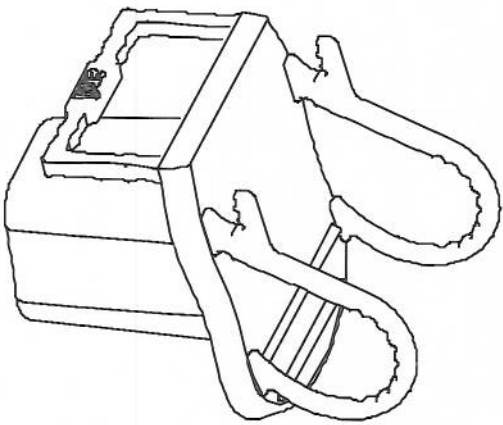
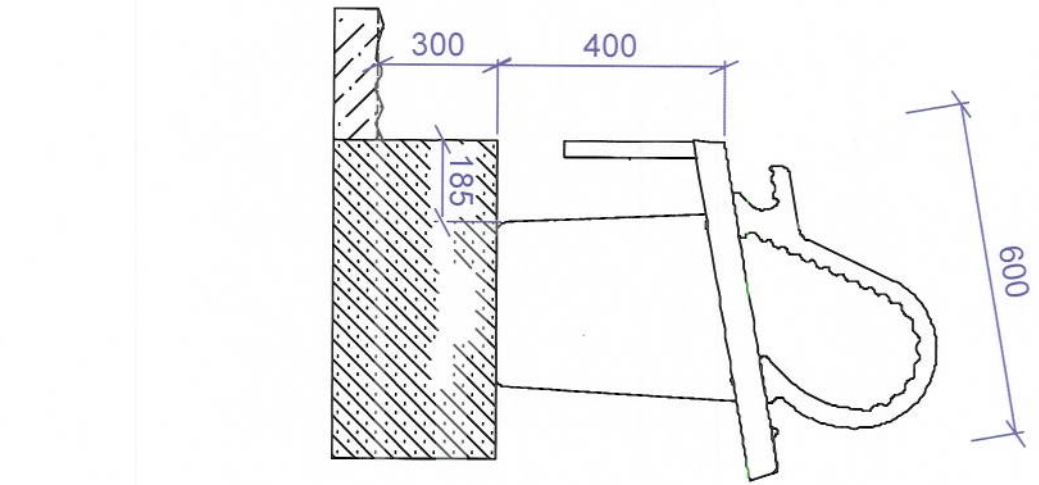
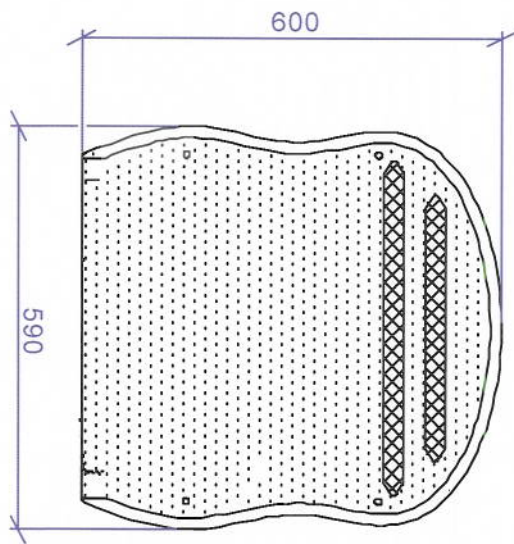
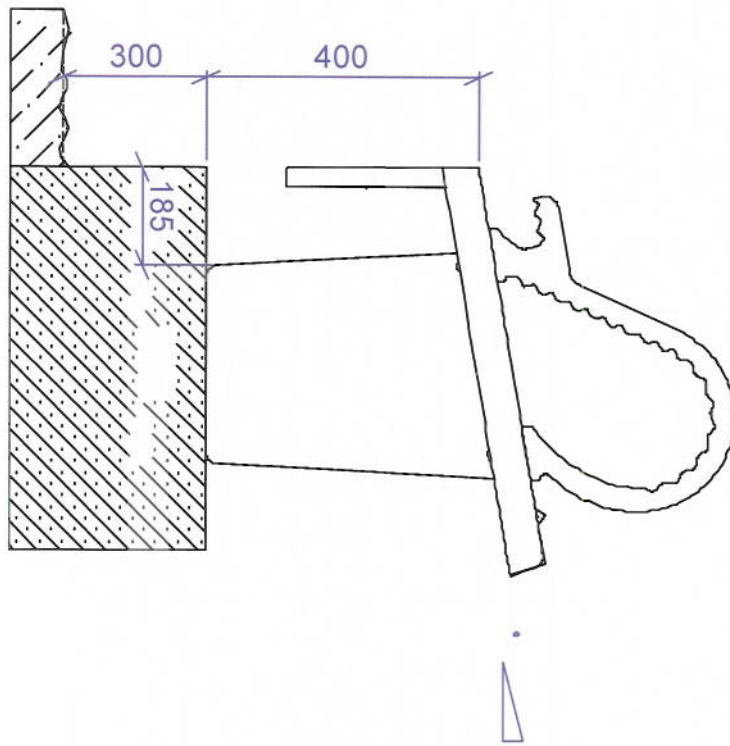


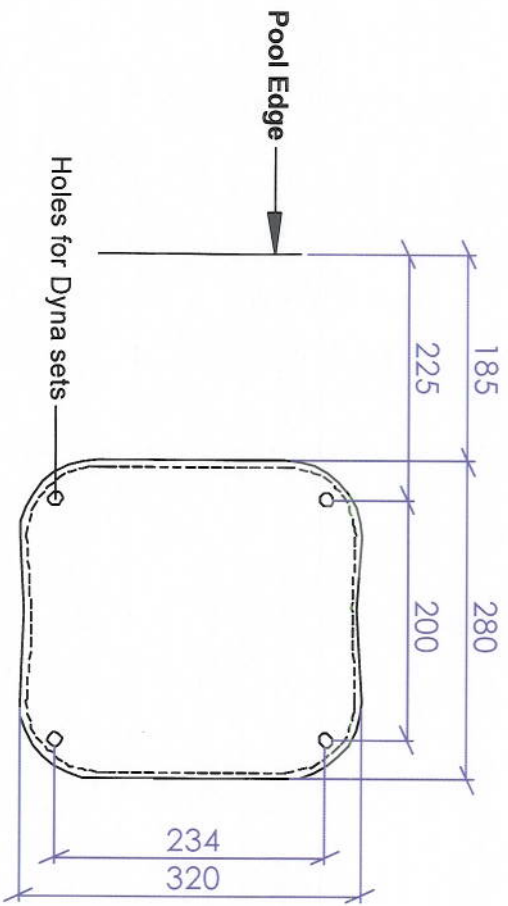
JUNIOR 400



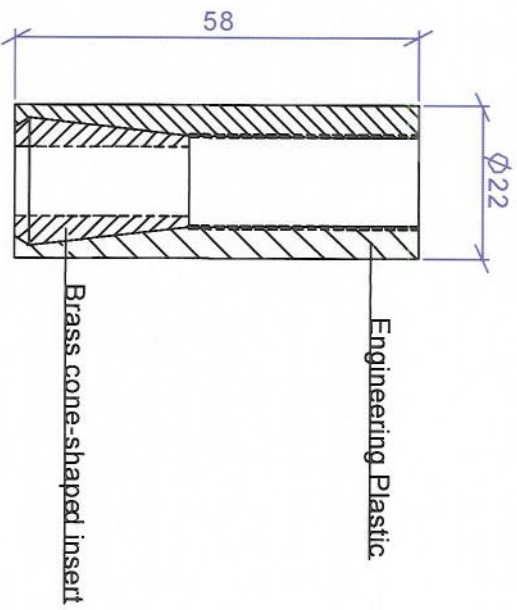


# Anti Starting Block


Open Drawing



Anti Block Bottom

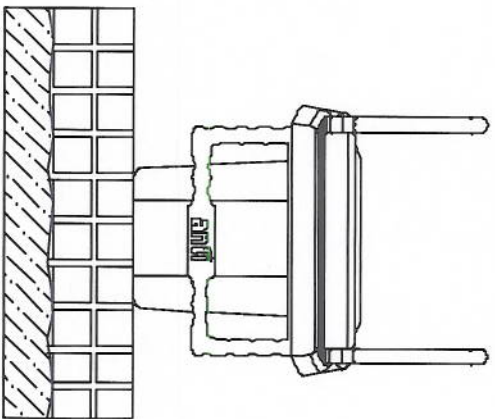
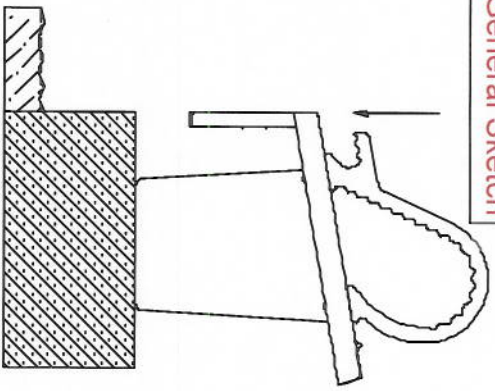


Plastic Dyna set

 <small>PROPRIETARY AND CONFIDENTIAL</small> <small>The information contained in this drawing is the sole property of ANTI WAVE. Any reproduction in part or as a whole without the written permission of ANTI WAVE is prohibited.</small>		Project Name: Anti Starting Block		Product Name: Anti Starting Block		Project No. AWE00020		Product No. 03	
Drawn	Philipp	Scale	No	Patents	2001285610; 7100219; 4048677; 01818714.5 & 2003/2920 e.g.				
						Drawn Date 2007-04-26		Verify Date	

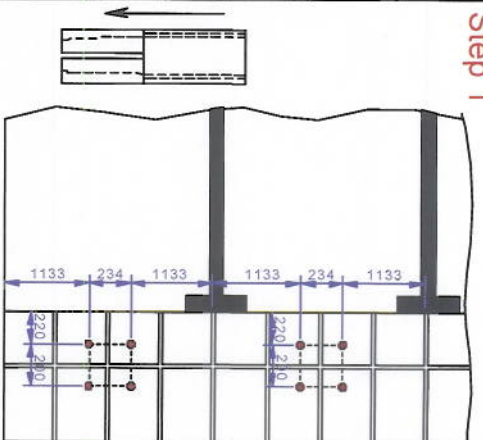
# Anti Block Assembly Instructions

## General Sketch



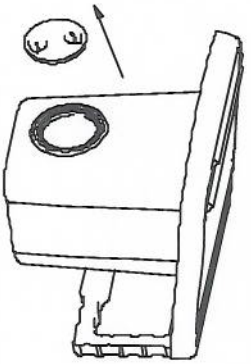
No.	Name	Qty
①	Anti Block	1
②	FRP Quick Start Handle	2
③	Back Hole Cover	1
④	Plastic Dyna Set	4
⑤	M10X70 Hex Bolt and Washer	4
⑥	M10 Lock Nut and Washer	4

## Step 1

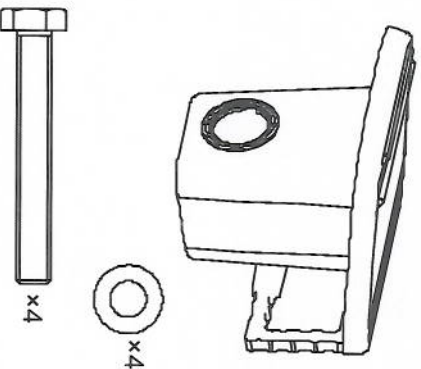


Use an 22.5mm drill bit to drill 4 holes in the concrete (depth 55mm), then place the Dyna set in the hole and make sure that the expander plug is driven down to spread the anchor.

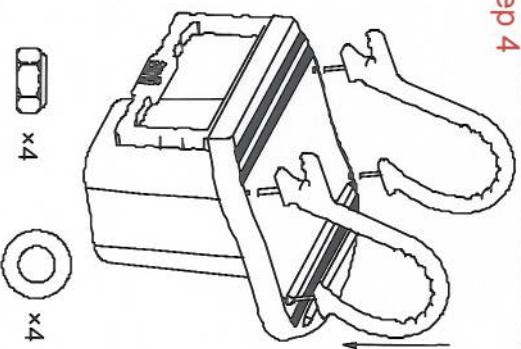
## Step 2



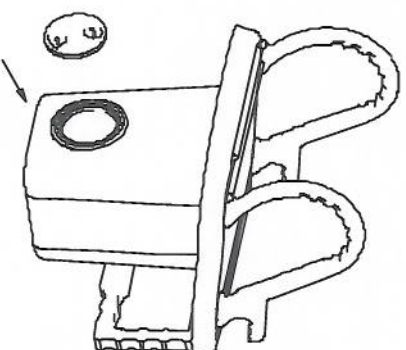
## Step 3



## Step 4



## Step 5



Remove the Plastic Cover at the back of the Start Block, align its 4 predrilled holes at the bottom with the 4 holes in the concrete.

Use the M10X70 Hex Bolts and Washers to fasten the Super Block to the Concrete.

Use M10 Lock Nuts and Washers to fix the FRP Quick Start Handles.

Close the Back Cover, then follow Step 1 to Step 5 to install each of other Anti Blocks.

Project Name:

Anti Starting Block

Product Name:

Assembly Instruction

Project No.

AWE00020

Product No. 04

Drawn Date

2007-04-26

Verify Date

**anti**  
PROPRIETARY AND CONFIDENTIAL  
 The information contained in this drawing is the sole property of ANTI WAVE. any reproduction in part or as a whole without the written permission of ANTI WAVE is prohibited.

Drawn Philip

Scale No

Patents

2001285610; 7100219; 4048677; 01818714.5 & 2003/2920 e.g.