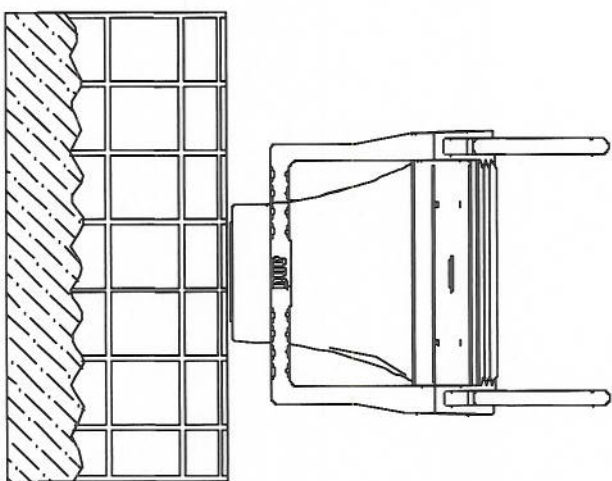
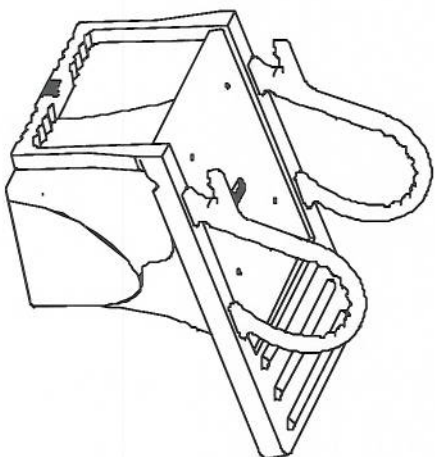
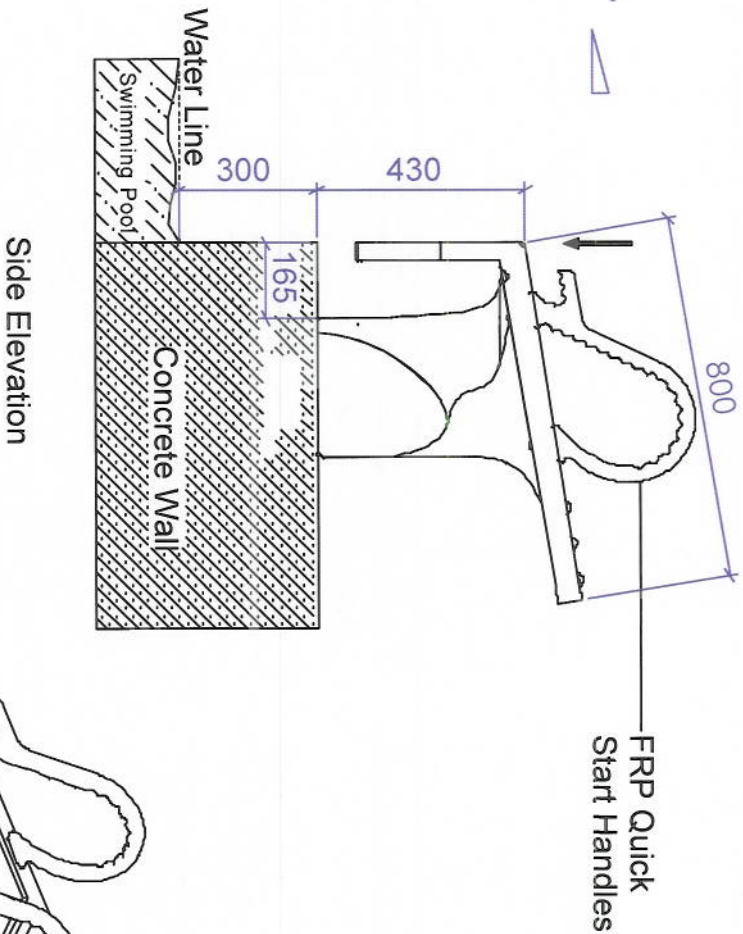



SUPER 400

Super Starting Block

Open Drawing

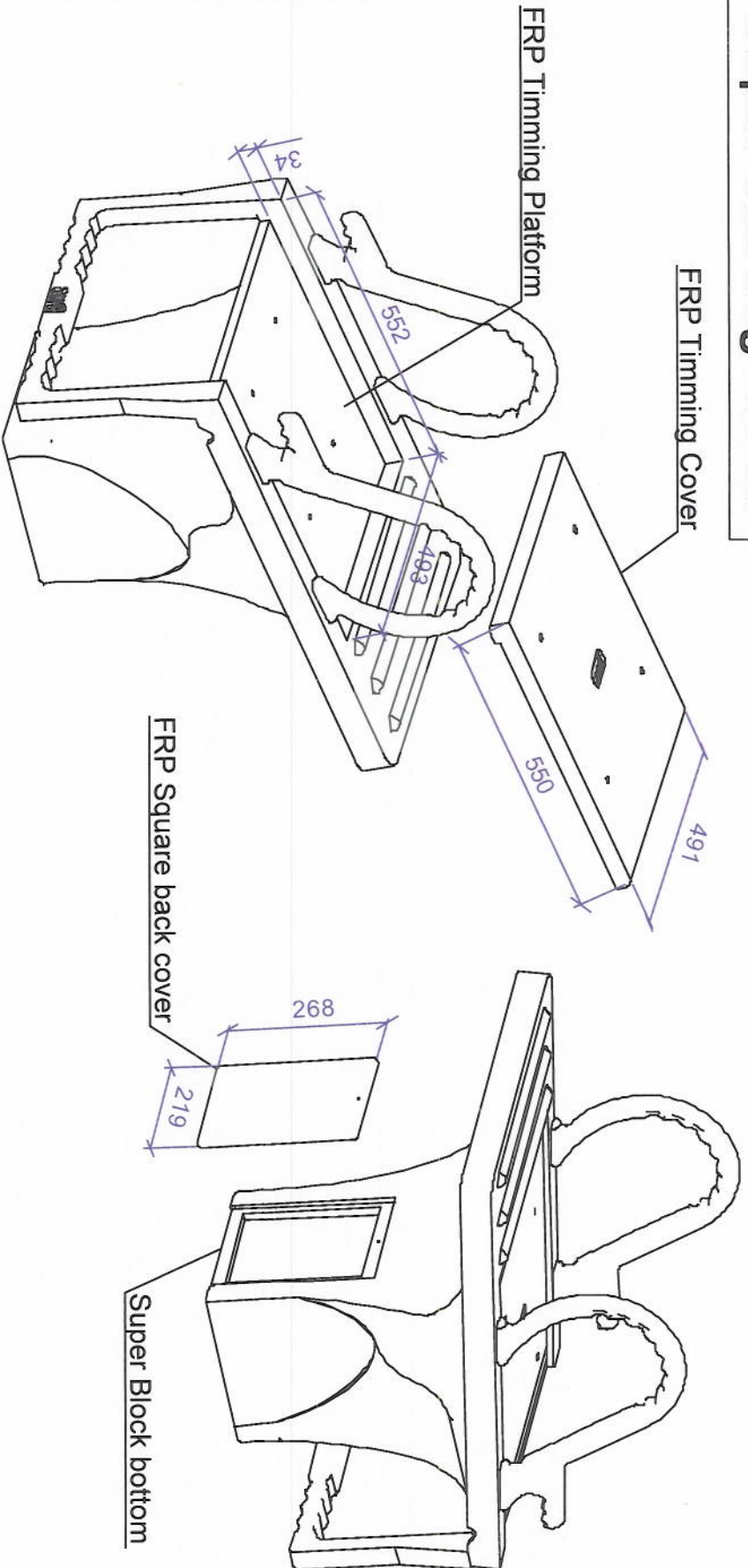


Side Elevation

 <p>PROPRIETARY AND CONFIDENTIAL The information contained in this drawing is the sole property of ANTI WAVE. Any reproduction in part or as a whole without the written permission of ANTI WAVE is prohibited.</p>		Project Name:		Product Name:		Project No.		Product No.	
		Super Starting Block		Super Starting Block		AWE00063		01	
Drawn	Philip	Scale	No	Patents	2001285610; 7100219; 4048677; 01818714.5 & 2003/2920 e.g.				


Super Starting Block

Open Drawing



Note:

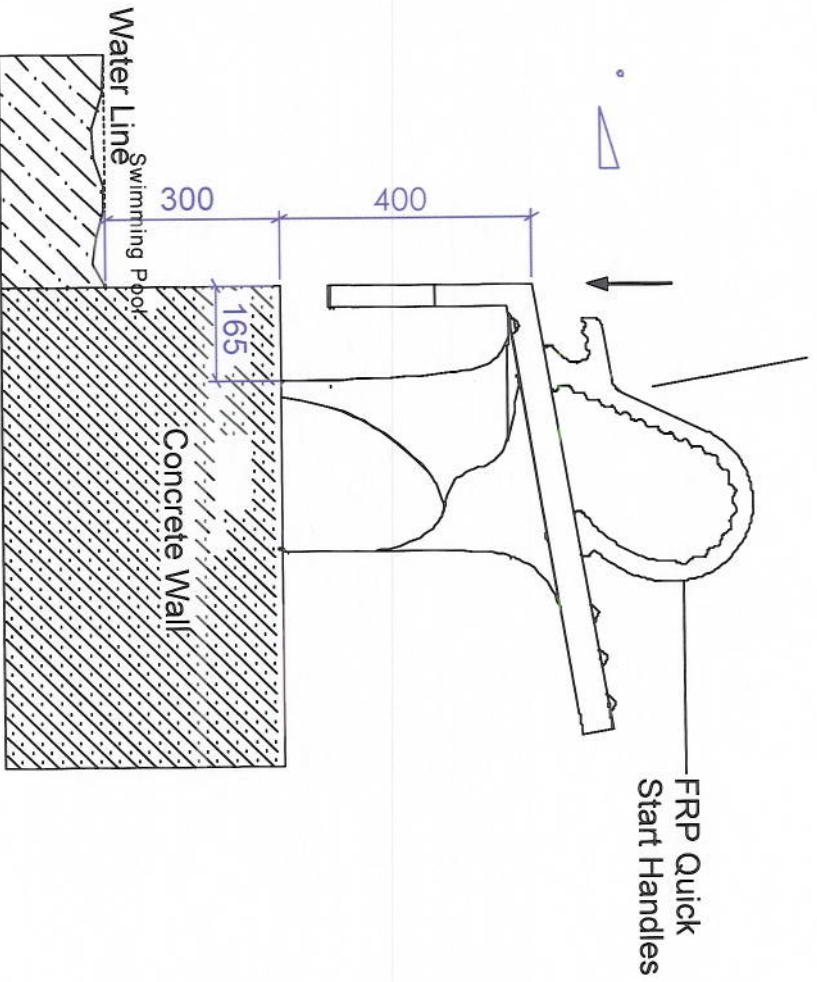
1. Pls put the Timming system on the FRP Timming platform, use Bolts and Nuts to fix the Timming system on the Platform, then put the Timming cover on the Platform to cover the Timming system, use bolt to fix the FRP Timming Cover to the Timming system.
2. The FRP Square back cover use to be supply the convenient area to fix the electrical wire and fix the bottom of the Super starting block to the concrete.

 <p>PROPRIETARY AND CONFIDENTIAL The information contained in this drawing is the sole property of ANTI WAVE. Any reproduction in part or as a whole without the written permission of ANTI WAVE is prohibited.</p>		Project Name: Super Starting Block		Product Name: Super Starting Block		Project No. AWE00063		Product No. 02	
Drawn	Philip	Scale	No	Patents	2001285610;7100219;4048677;01818714.5 & 2003/2920 e.g.				

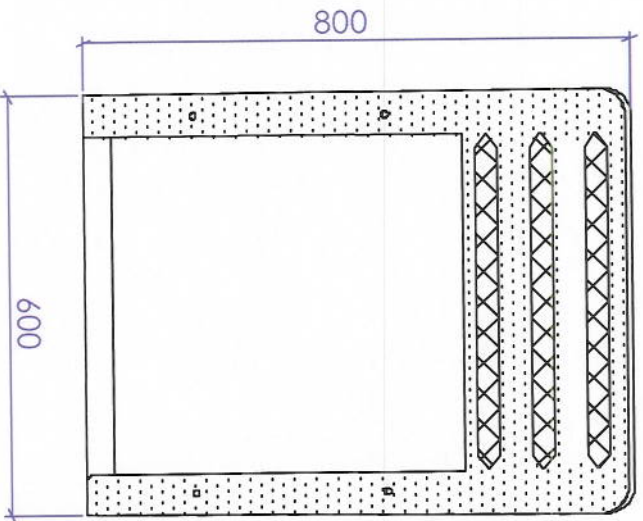
Super Starting Block

Open Drawing


See this way



Side Elevation

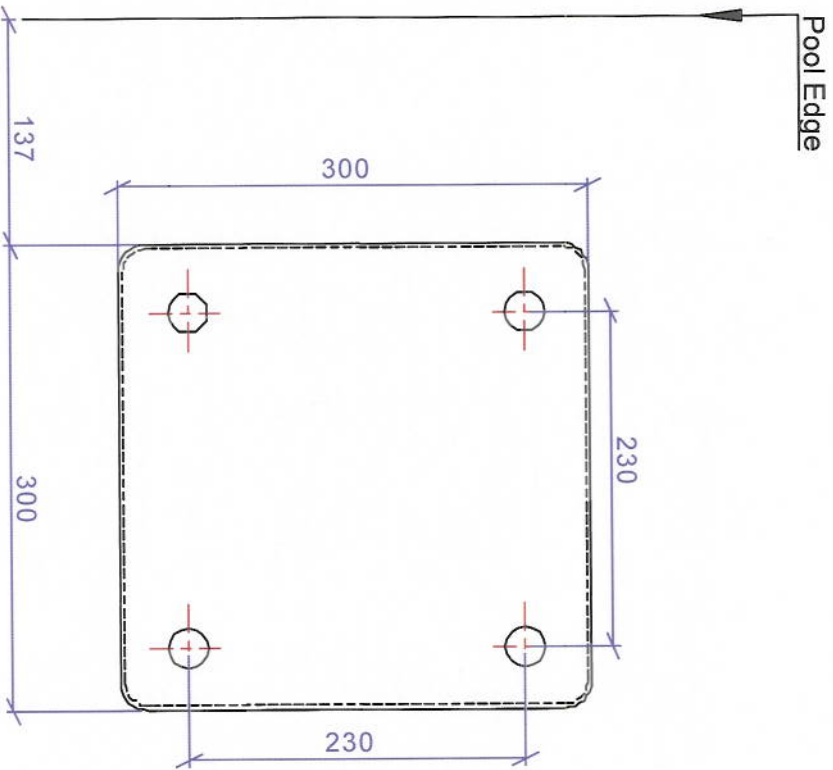


The Top of Super Block

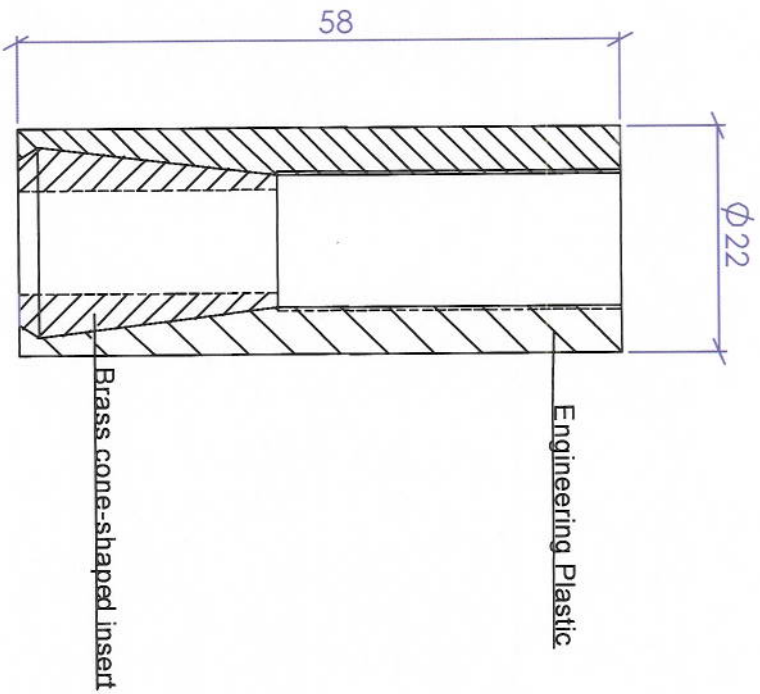
 <p>PROPRIETARY AND CONFIDENTIAL The information contained in this drawing is the sole property of ANTI WAVE. Any reproduction in part or as a whole without the written permission of ANTI WAVE is prohibited.</p>		Project Name: Super Starting Block		Product Name: Super Starting Block		Project No. AWE00063		Product No. 03	
Drawn: Philip	Scale: No	Patents: 2001285610; 7100219; 4048677; 01818714.5 & 2003/2920 e.g.	Drawn Date: 2007-04-26	Verify Date:					

Super Starting Block

Open Drawing



Super Block bottom



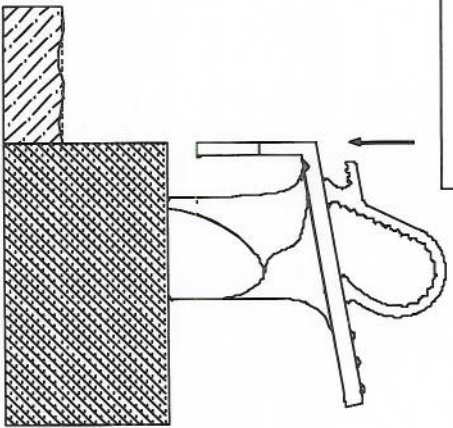
Plastic Dyna set

antiTM
 PROPRIETARY AND CONFIDENTIAL
 The information contained in this drawing is the sole property of ANTI WAVE. Any reproduction in part or as a whole without the written permission of ANTI WAVE is prohibited.
 ©ANTI WAVE 2007

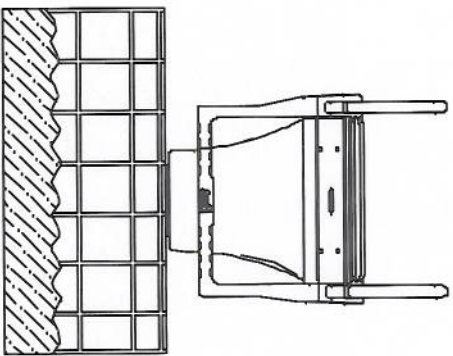
Project Name: Super Starting Block
 Drawn: Philipp Scale No

Product Name: Super Starting Block
 Patents: 2001285610; 7100219; 4048677; 01818714.5 & 2003/2920 e.g.

Project No. AWE00063 Product No. 04
 Drawn Date 2007-04-26 Verify Date



Side Elevation



Pool Elevation

Super Block

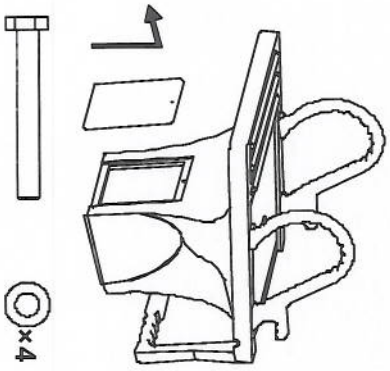
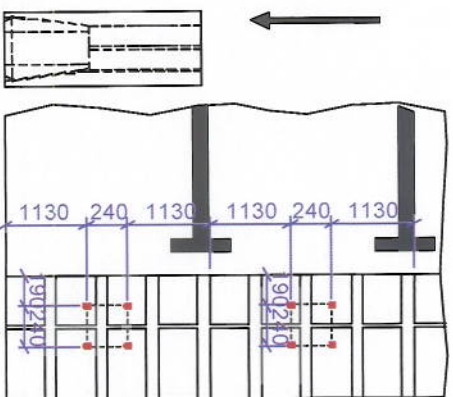
Super Block Cover

FRP Quick Start
Handles

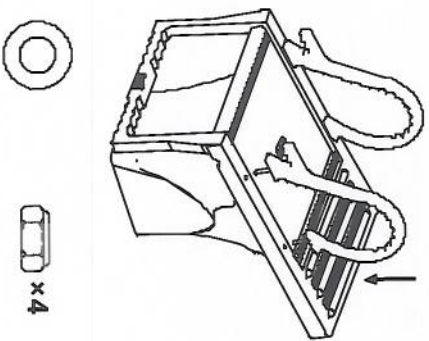
Back Hole Cover

Square Tube

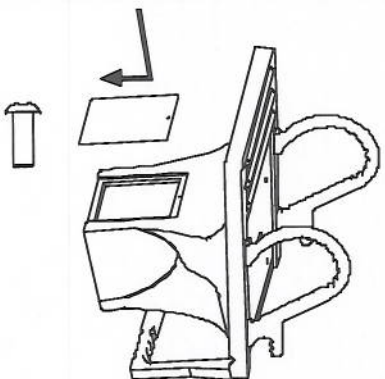
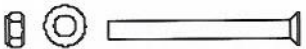
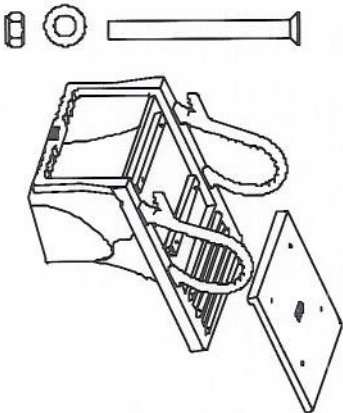
Plastic Dyna Set, M10X70
Hex Bolt & Washer



⊙x4



x4



anti